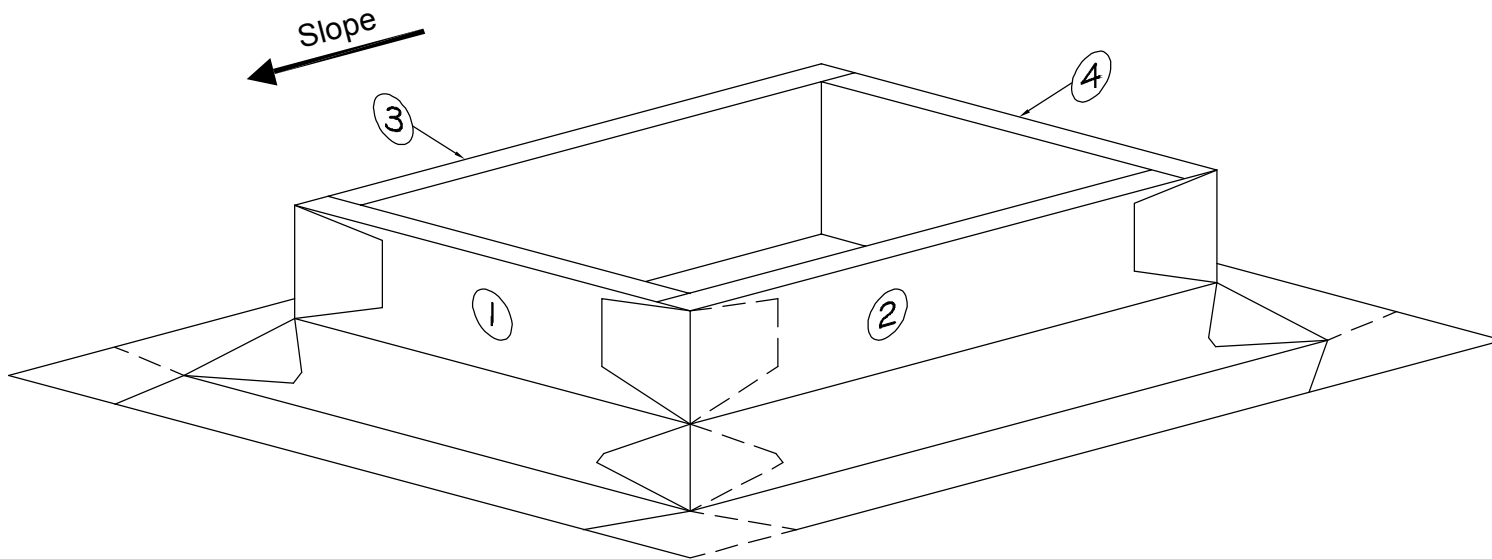


NOTES:

1. REFER TO FIRESTONE WEBSITE FOR MOST CURRENT INFORMATION.
2. CUT MEMBRANE AND WRAP CORNERS AS SHOWN.
3. INSTALL NOTCHED PATCHES AS SHOWN TO INSURE WATER TIGHT CORNERS.
4. REFER TO DETAILS MB-LS-1, MB-LS-2 & MB-LS-3 FOR APPROPRIATE LAP SEALING OPTIONS.

**ASPHALT IS APPLIED UNIFORMLY TO EACH PLY AT A RATE OF APPROXIMATELY 25 LBS PER 100 SQ/FT OF ROOF SURFACE (±15%)**



MAXIMUM WARRANTY: **20 YEARS**

**Firestone**  
 BUILDING PRODUCTS  
 NOBODY COVERS YOU BETTER.™  
 www.firestonebpco.com

**OUTSIDE CORNER**

ASPHALT SYSTEMS

ACCEPTABLE SYSTEMS: BUR

ISSUE/REVISION DATE:

1/1/2006

NOT TO SCALE

DETAIL NO.

**BU-C-1**